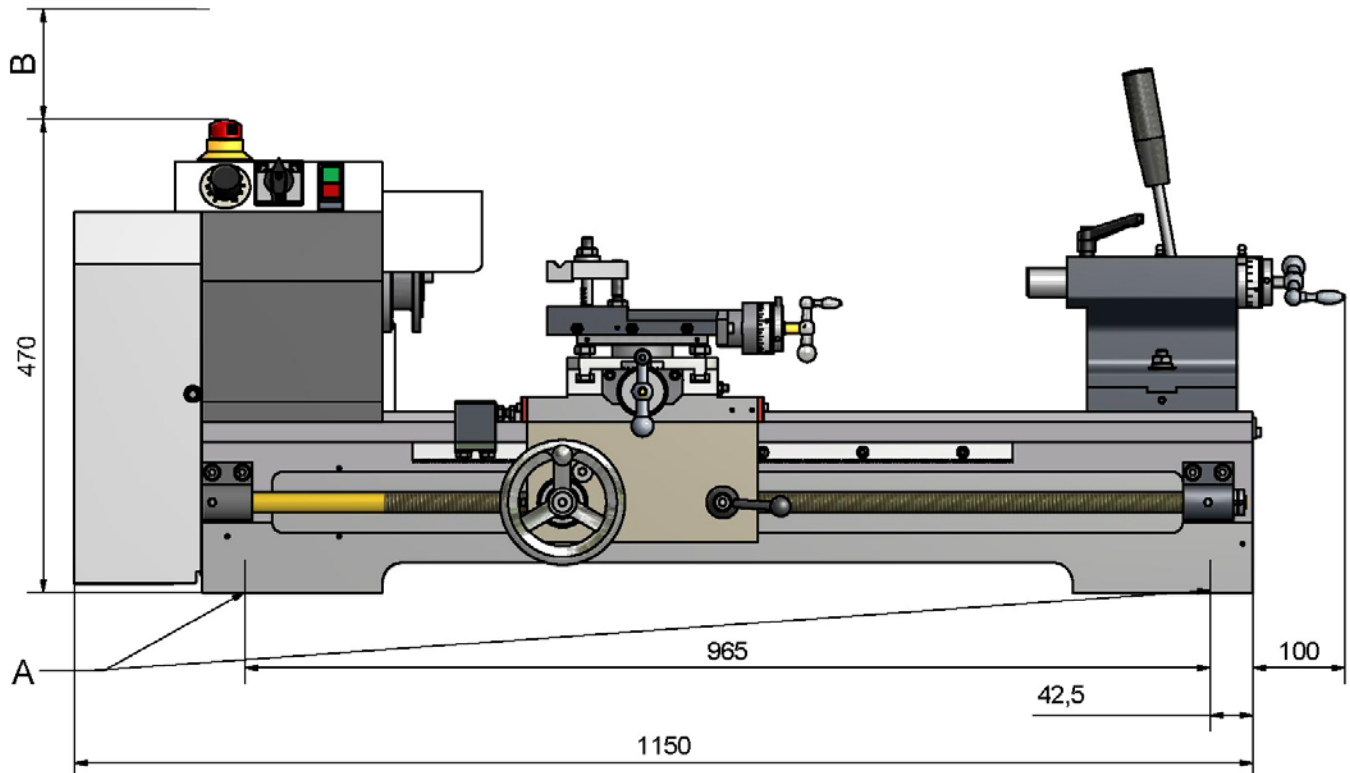


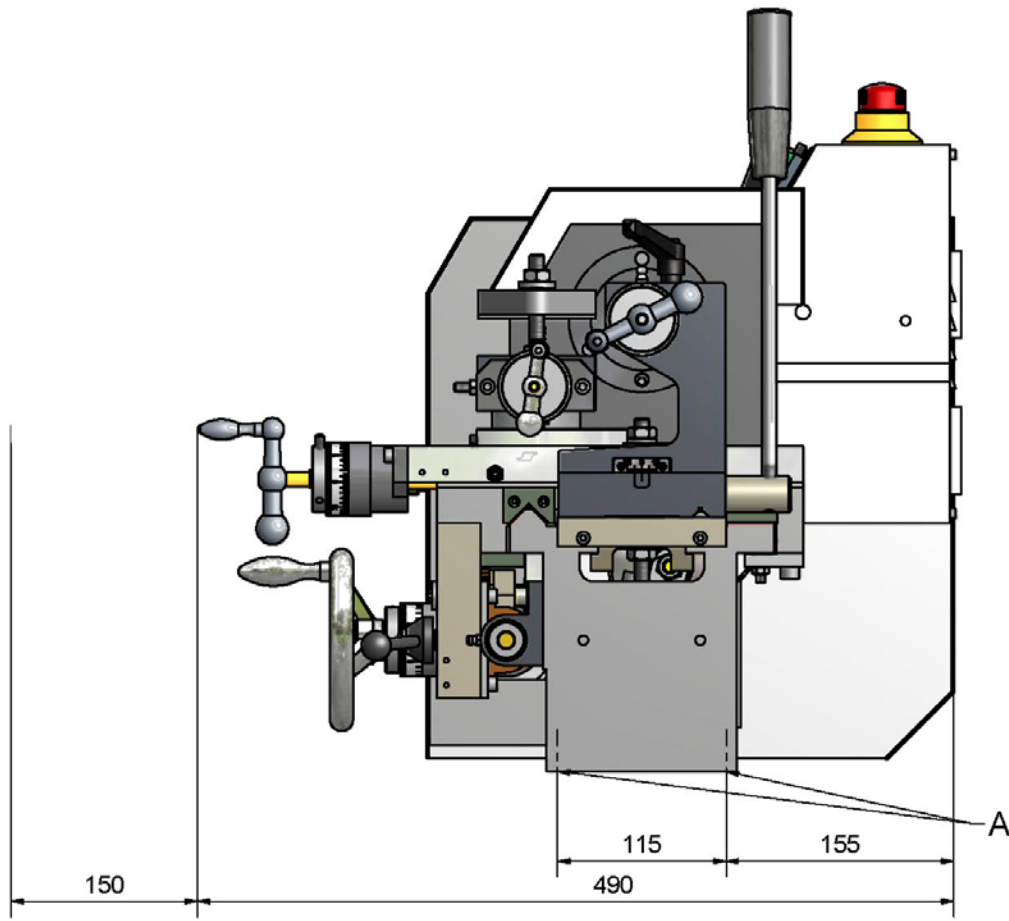
Assembled dimensions D6000 Front view



A 4 mounting holes M8 (20 mm deep)
B 170 mm for digital position readout



Assembled dimensions D6000 Side view



A 4 mounting holes M8 (20 mm deep)

